

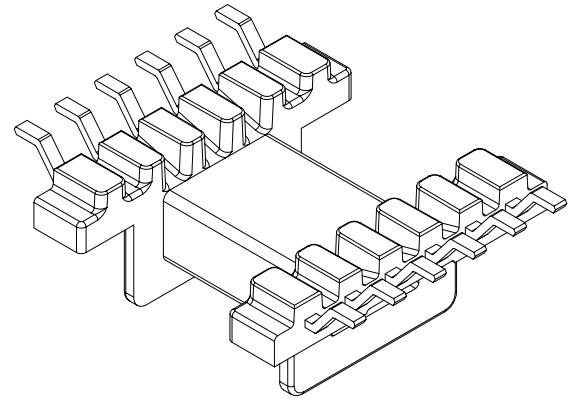
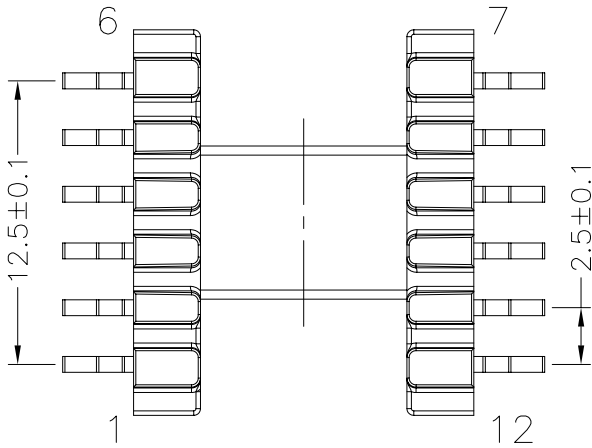
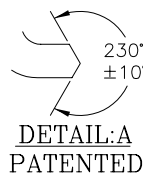
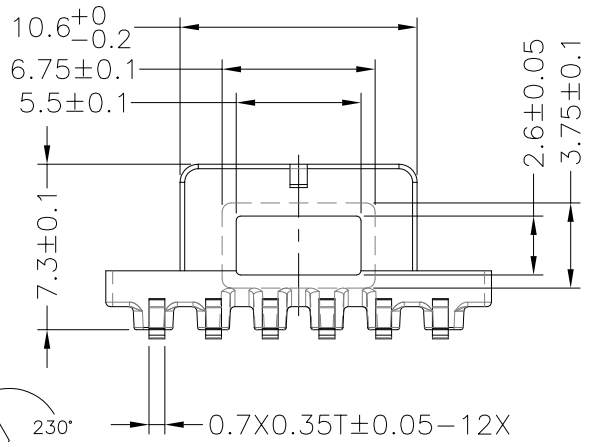
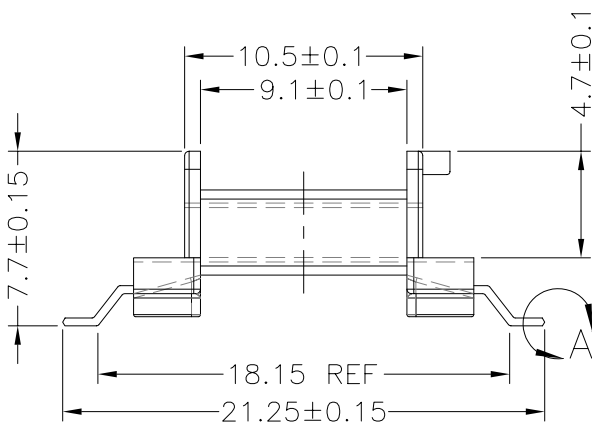
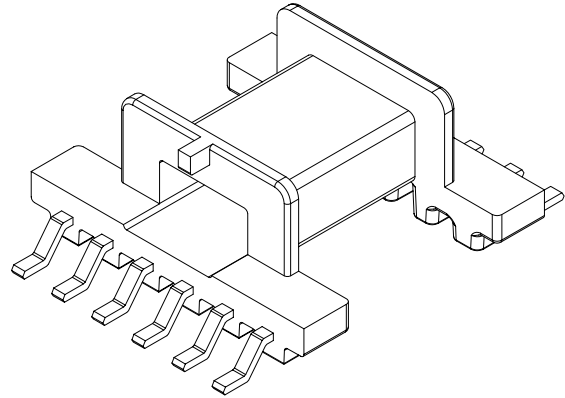
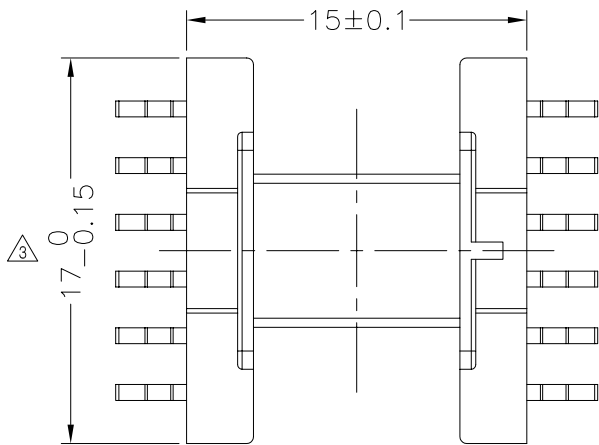


**TRANSFORMER BOBBIN INDUSTRIAL CO.,LTD.**

Tel : 86-769-88789999 Fax : 86-769-88789989  
 http:// tbi-tw.com e-mail : tb6688@ms46.hinet.net

REVISIONS

REV	SYM	DRAFTER	CHECKER	DATE
△1		G.L.LEE	W.H.HSU	11/18/06
△2		Y.G.HSU	W.H.HSU	01/12/07
△3		S.Y.TANG	W.H.HSU	06/16/07



DWG NO.	EFD15-12P-GW-2.5-0F-1				
PART NO.	MATERIAL (BOBBIN)	MATERIAL (TERMINAL)	TERMINAL (PLATING)	PIN ALLOCATION	NOTE
TBI-107-03061.103	PM-9630JT	P.B C5191 △2	Sn	ALL PIN	
TBI-107-03061.113	PM-9630JT	P.B C5191 △2	Sn	CUT PIN # 1,6,7,12	
TOLERANCE: .X±0.15 .XX±0.10 .XXX±0.05 UNIT : m / m SCALE 3 : 1					
Finish:	1. Pb wire Immersion Sn on terminal : Thickness:Sn plating,100,5 μm (200 μ inches) min,Base nickel 0.625 μm (25 μ inches) min. 2. CP wire Immersion Sn on terminal : Thickness:Sn plating,100,5 μm (200 μ inches) min. 3. Coplanarity deviation: 0.10 mm (0.004 inches) max.				REV 3